

Incremental Encoder Module Datasheet

8ECM360A Series

Features

- Gap : 2.0mm
- Height : 7.35mm
- Incremental output method
- Digital output (A,B 2-Channel)
- Built in pull-up resistor
- Resolution : 360LPI
- Two Types of Holder : Standard & Screw mount



Description

- 8ECM360A is an optical encoder which is assembly with an infrared LED as a light source and a photo IC as a detector, with a digital output, provides sophisticated motion detection and variation of resolutions, makes closed-loop control very cost effective, can be used in a wide range of applications.

Applications

- Printer
- Facsimile
- Copier
- Disc driver

Table of Contents

Features	1
Discription	1
Applications.....	1
Table of Contents.....	2
Item Number Description.....	3
Absolute Maximum Ratings ($T_a=25^{\circ}\text{C}$).....	4
Electro-Optical Characteristics($T_a=25^{\circ}\text{C}$).....	4
Block Diagram	5
Mechanical Dimension.....	6-7
Mounting Consideration.....	8
Revision History.....	9
About Edison Opto.....	9

Item Number Description

Item Number Details:

Product item No	Item number Description
8ECM360A2ST00001	Pin linear standard 360LPI tray package incremental encoder
8ECM360A2SB00001	Pin linear standard 360LPI tube packaging incremental encoder
8ECM360A3ST00001	Pin linear screw device type 360LPI tray packaging incremental encoder
8ECM360A3SB00001	Pin linear screw device type 360LPI tube packaging incremental encoder
8ECM360A2FT00001	Pin bending standard 360LPI tray package incremental encoder
8ECM360A2FB00001	Pin bending standard 360LPI tube packaging incremental encoder
8ECM360A3FT00001	Pin bending screw device type 360LPI tray packaging incremental encoder
8ECM360A3FB00001	Pin bending screw device type 360LPI tube packaging incremental encoder

Absolute Maximum Ratings ($T_a=25^{\circ}\text{C}$)

Parameter	Symbol	Rating	Unit	
Input	Forward Current *1	I_F	20	mA
	Reverse Voltage	V_R	3	V
Output	Supply Voltage	V_{CC}	7	V
	Operating temp. *2	$T_{opr.}$	0 ~ +85	$^{\circ}\text{C}$
	Storage temp. *2	$T_{stg.}$	-40 ~ +85	$^{\circ}\text{C}$
	Soldering temp. *3	$T_{sol.}$	260	$^{\circ}\text{C}$
	ESD level(HBM)	EDS	+/-2	KV

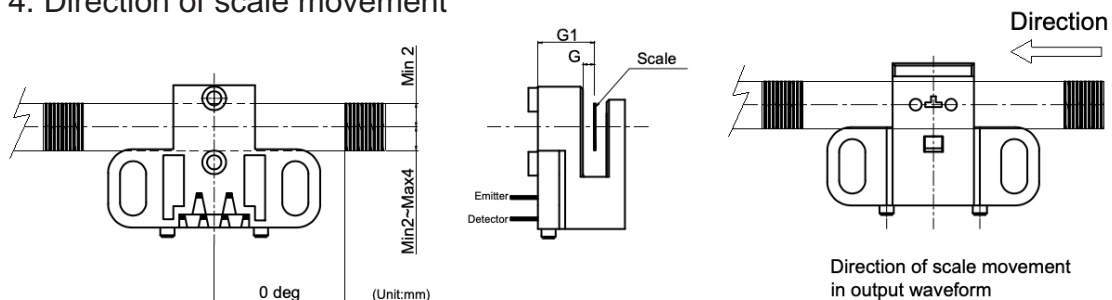
Notes:

- *1. Recommended Operating Forward Current : 10mA
- *2. No icebound or dew
- *3. For max 5 sec. at the position of 1mm from the resin edge

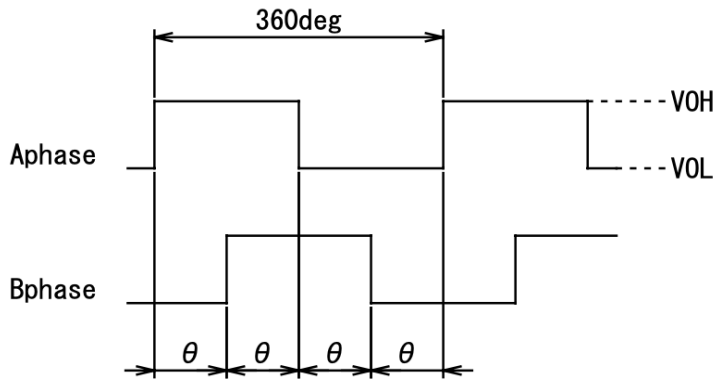
Electro-Optical Characteristics ($T_a=25^{\circ}\text{C}$)

ITEM	Symbol	Conditions	Min.	Typ.	Max.	Unit
LED Input	Forward voltage	V_F $I_F=10\text{mA}$	—	1.7	—	V
	Peak wavelength	λ_P $I_F=10\text{mA}$	830	853	860	nm
Operating supply voltage range			2.8	5	5.5	V
IC Output	Phase difference *4*5*7	θ	70	90	110	deg
	Duty ratio *4*6	D_T $V_{CC}=2.8$ to	40	50	60	%
	A-B Phase Output High level output voltage *4*5	V_{OH} 5.5V	$V_{CC} \times 0.8$	—	—	V
	Low level output voltage *4*5	V_{OL} $I_F=10\text{mA}$	—	—	0.4	V
	Response frequency	f_o	—	—	60	KHz
	Rise Time	t_r $C_L=25\text{pF}$	0.03	—	3	μs
	Fall Time	t_f $C_L=1000\text{pF}$	0.03	—	3	μs

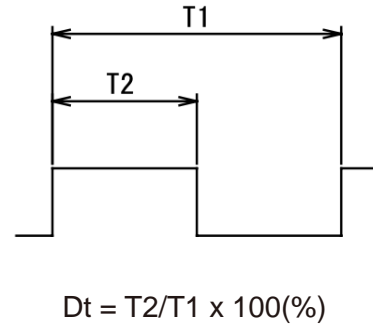
Notes: *4. Direction of scale movement



*5. Output waveform of*3

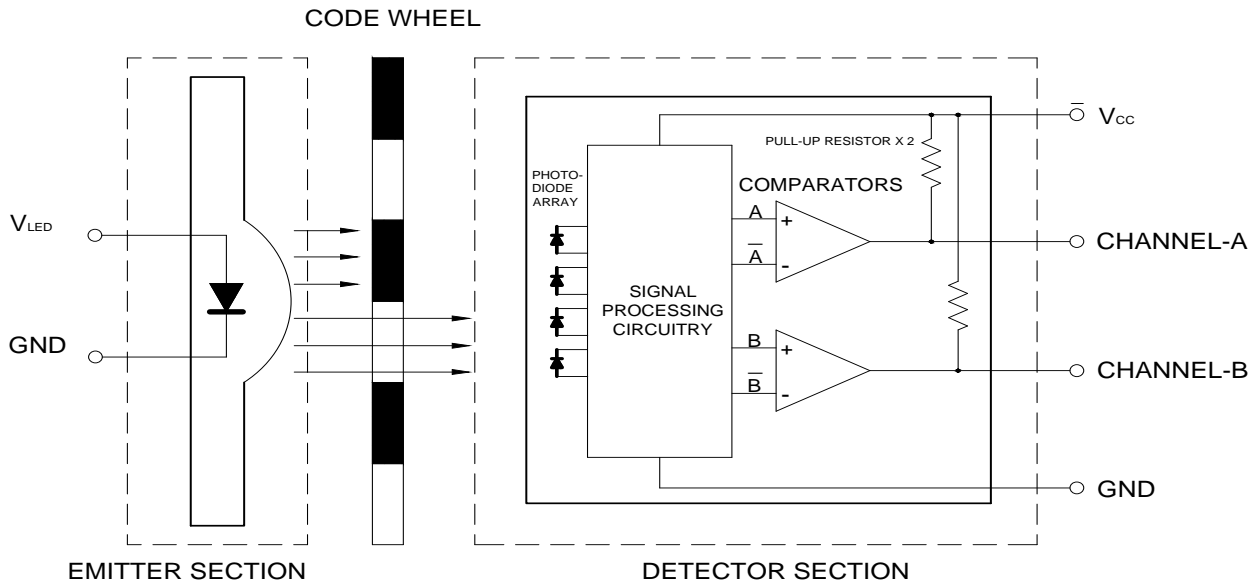


*6. Duty Ratio (Dt)



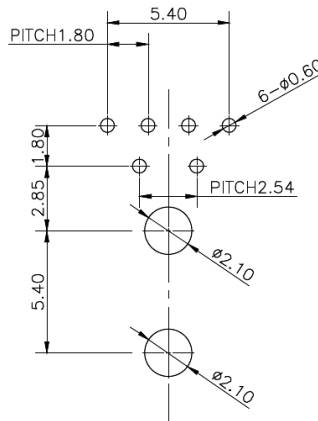
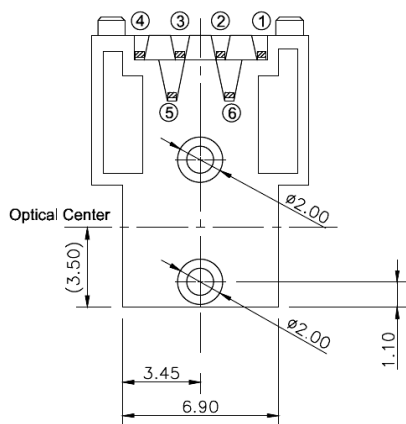
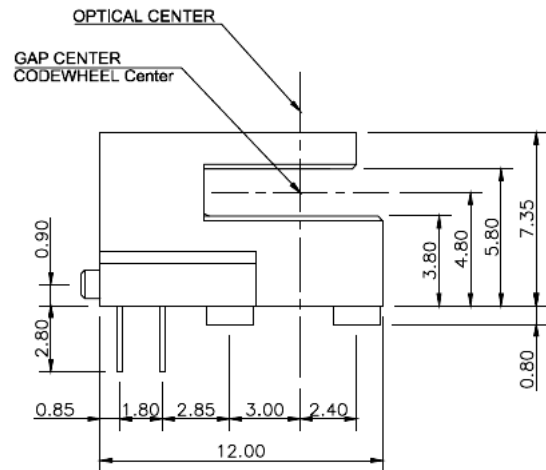
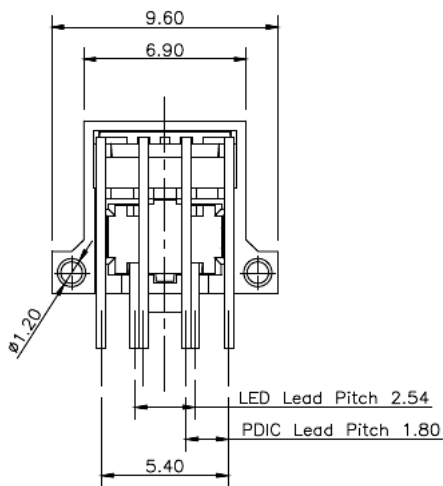
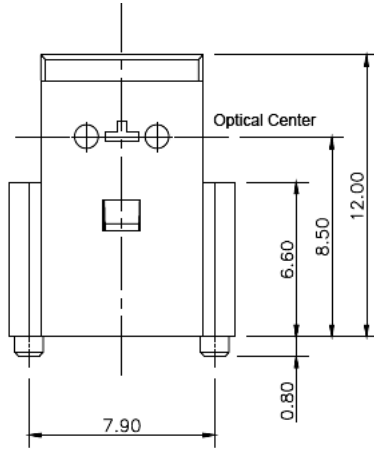
*7. No reverse in phase difference

Block Diagram



Mechanical Dimension

Standard type



1) PIN CONFIGURATION

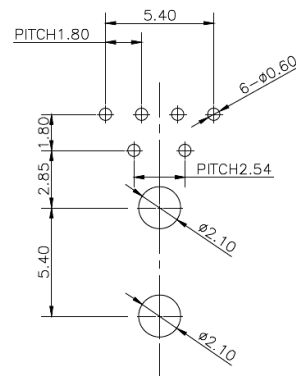
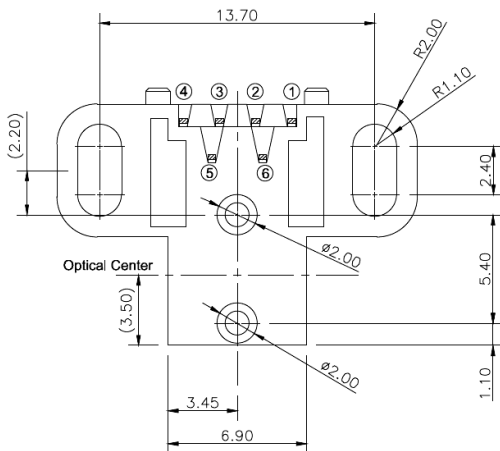
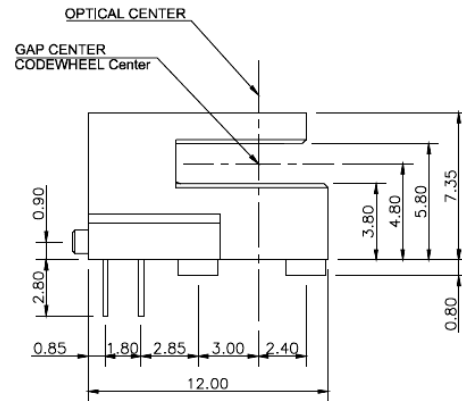
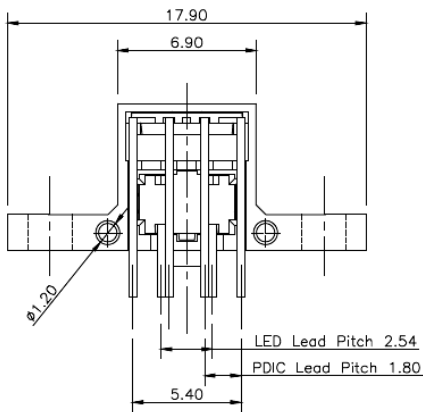
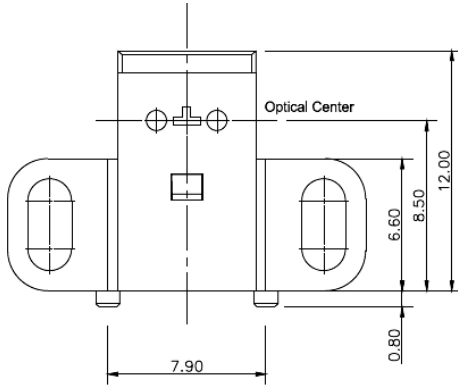
PIN NO.	CONFIGURATION	REMARK
1	CHANNEL-A	OUTPUT-A
2	GND	PDIC GND
3	V _{CC}	PDIC V _{CC}
4	CHANNEL-B	OUTPUT-B
5	V _{LED}	IRE D ANODE
6	GND	IRE D CATHODE

2) General Tolerance : $\pm 0.2\text{mm}$

MOUNTING FOOTPRINT

Mechanical Dimension

Screw mount type



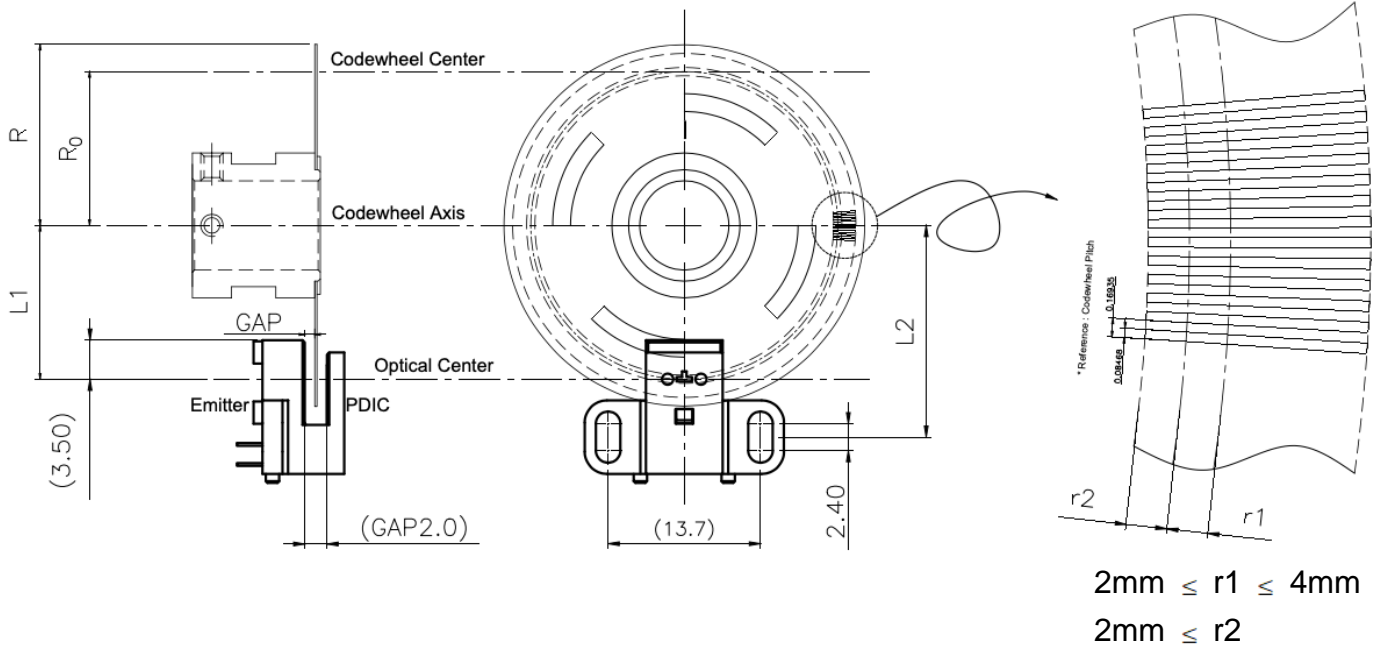
1) PIN CONFIGURATION

PIN NO.	CONFIGURATION	REMARK
1	CHANNEL-A	OUTPUT-A
2	GND	PDIC GND
3	V _{CC}	PDIC V _{CC}
4	CHANNEL-B	OUTPUT-B
5	V _{LED}	IRED ANODE
6	GND	IRED CATHODE

2) General Tolerance : ±0.2mm

MOUNTING FOOTPRINT

Mounting Consideration



Note:

These dimensions include shaft end play and codewheel warp. All dimensions for mounting in the module and codewheel/codestrip should be measured with respect to the two mounting posts shown above.

Code wheel Design reference

- Rotary Disk Center Radius : R_0 (mm)
- Slit Pitch : P (mm) on R_0
- Slit Counts : N (P/R)
- $R_0 = P/2\pi \times N$
- $P=25.4\text{mm}/360\text{LPI}$, $20 \leq R_0 \leq \infty$
- $R_0 \leq R_0 + 4\text{mm}$
- $L1 = R_0$
- $L2 = L1 + 3.5\text{mm}$

Revision history

Versions	Description	Release Date
1.0	Preliminary	2021/10/19

About Edison Opto

Edison Opto is a leading manufacturer of high power LED and a solution provider experienced in LDMS. LDMS is an integrated program derived from the four essential technologies in LED lighting applications- Thermal Management, Electrical Scheme, Mechanical Refinement, Optical Optimization, to provide customer with various LED components and modules. More Information about the company and our products can be found at www.edison-opto.com

Copyright©2021 Edison Opto. All rights reserved. No part of publication may be reproduced or transmitted in any form or by any means, electronic or mechanical, including photo copy, recording or any other information storage and retrieval system, without prior permission in writing from the publisher. The information in this publication are subject to change without notice.

www.edison-opto.com

For general assistance please contact:
service@edison-opto.com.tw

For technical assistance please contact:
LED.Detective@edison-opto.com.tw